



RUG 03/A

ELITE PRO MADE-TO-MEASURE

CUSTOM PRESCRIPTION RUGBY CHAIR ATTACK

Athlete's Contact Details

Full Name	
<input type="text"/>	
Phone Number	Fitting Date
<input type="text"/>	<input type="text"/>
Email Address	
<input type="text"/>	
Home Address	
<input type="text"/>	

The customer is aware of the conditions of sale specific to the wheelchair made to measure available by Roma Sport. The order is validated by the customer once the agreement sent by e-mail and payment of the deposit of at least 30% of the total sum of the invoice. Roma Sport offers a retraction period of 3 working days.

Delivery time is fixed at the time of the order. Any price offer is valid for a period of 3 months.

Invoice 6%

The chair will remain the property of Roma Sport until full payment is made. You are purchasing a made to measure Basketball chair made with the highest quality grade aluminium and component parts, the chair will be fitted with a 72mm front castor wheels as standard and we offer a warranty of 1 year for any breakage to the frame and this does not include any removable parts.

RomaSport will not be held responsible for any measurements taken by the distributor/ agent.

**** If the chair is to be fully / part funded by a charity of your choice can you please make Roma Sport aware of this****

Charity Contact Details

Charity Name
<input type="text"/>
Contact Name
<input type="text"/>
Phone Number
<input type="text"/>
Email Address
<input type="text"/>

Agent Contact Details

Full Name
<input type="text"/>
Phone Number
<input type="text"/>
Email Address
<input type="text"/>
Account Number
<input type="text"/>

Invoice Address

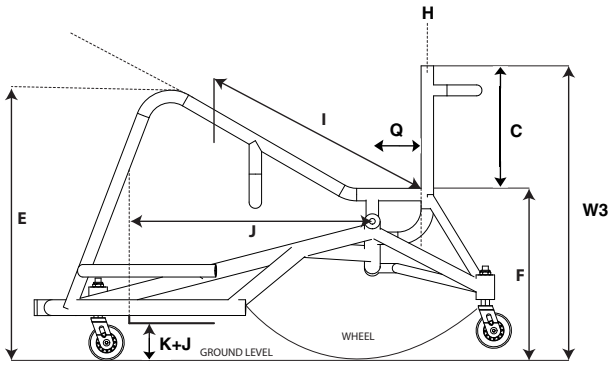
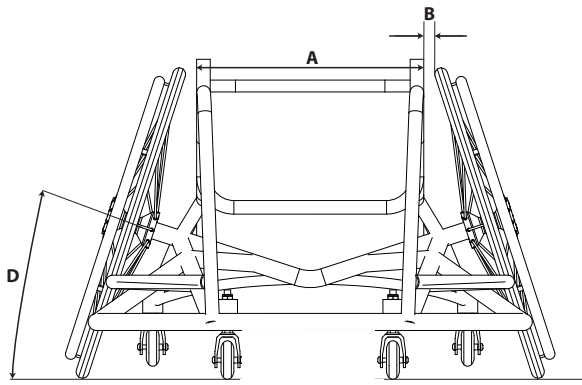
Full Name
<input type="text"/>
Address
<input type="text"/>
Post Code
<input type="text"/>

Delivery Address

Full Name
<input type="text"/>
Address
<input type="text"/>
Post Code
<input type="text"/>

GBWR Membership Number

Membership Number (Please leave blank if not applicable)
<input type="text"/>



FRAME DIMENSIONS	DIAGRAM KEY	mm
SEAT WIDTH BETWEEN ARMS	A	
SEAT DEPTH	I	
AXLE POSITION FROM BACKREST	Q	
SEAT CHAMBER	E	
REAR SEAT HEIGHT WITHOUT CUSHION	F	
FOOTREST HEIGHT FROM FLOOR	K + J	
WHEEL SIDE GUARD CLEARANCE	B	
BACKREST HEIGHT	C	
MAIN AXLE TUBE TO FRONT FOOTREST DISTANCE TO AXLE TUBE	J	
BACKREST HEIGHT FROM FLOOR	W3	

FRONT CASTOR POSITION	DIAGRAM KEY	PRICE	TICK OPTION
FIXED 265mm	W4	NO CHARGE	
NON STANDARD		£50.00	

MAIN AXLE TUBE TO REAR ANTI-TIP CASTOR	DIAGRAM KEY	PRICE	TICK OPTION
FIXED 235mm	A		
NON STANDARD		£50.00	

FOOTREST	PRICE	TICK OPTION
FIXED		
ADJUSTABLE		

WING OPTIONS	PRICE	TICK OPTION
SINGLE		
DOUBLE		

REAR ANTI-TIPPERS	PRICE	TICK OPTION
DOUBLE		

SEAT BASE	PRICE	TICK OPTION
CANVAS		

FOOTREST ANGLE	PRICE	TICK OPTION
0 DEGREES	NO CHARGE	
2 DEGREES	NO CHARGE	
3 DEGREES	NO CHARGE	
NON STANDARD	£50.00	

BACKREST ANGLE OPTIONS	PRICE	TICK OPTION
0 DEGREES (H)	NO CHARGE	
NON STANDARD	£50.00	

WHEEL CAMBER	DIAGRAM KEY	PRICE	TICK OPTION
16 DEGREES (TPO 347)	D	NO CHARGE	
17 DEGREES (TPO 348)		NO CHARGE	
18 DEGREES (TPO 349)		NO CHARGE	
NON STANDARD		£71.00	

WHEEL OPTIONS	PRICE	TICK OPTION
24" SPINERGY / SLX-24-24-1R (5/8")	Included	
25" SPINERGY / SLX-25-24-1R (5/8")		



SEAT RAKE	PRICE	TICK OPTION
STRAIGHT (HORIZONTAL)		
ERGO (ANGLED)		

FRAME COLOUR	PRICE	TICK OPTION
RAW ALUMINIUM	NO CHARGE	
NON-STANDARD COLOURED	£115.00	

SPARE PARTS

WHEELS	IMAGE	PRICE	QTY
24"SPINERGY SLX-24-24-1R		£220	
25" SPINERGY SLX-25-24-1R		£220	
WH0049 - 72MM SMALL CASTOR WITH PLASIC CORE		£4.00	

OPTIONAL EXTRAS	IMAGE	PRICE	QTY
UP0105 - 24" & 25" WHEEL CARRIER		£75	
1388 - TYRE LEVER SET		£4.95	
AXL 5/8" - 5/8" QR AXLE		£29.00	

TYRES & PUSHRIMS	IMAGE	PRICE	QTY
WH0057 24" KENDA KONCEPT TYRE RED		£12.80	
WH0064 24" RIGHTRUN BLACK / GREY		£10.50	
WH0081 24" K GUARD RIGHTRUN BLACK N ROLL RED STRIP		£12.80	

STRAPS	IMAGE	PRICE	QTY
UP0074 - 35" SINGLE LOOP FOOT & KNEE STRAP		£16.00	
UP0075 - 19" DOUBLE LOOP FOOT STRAP		£10.50	
RPS-10" - 10" PADDED RATCHET STRAP		£45.00	
RPS-16" - 16" PADDED RATCHET STRAP		£60.00	
RPS-20" - 20" PADDED RATCHET STRAP		£65.00	
UP0101 - 75MM X 1.2MTR BASKETBALL WAIST/ CHEST STRAP		£24.00	
UP0102 - 100MM X 1.2MTR BASKETBALL WAIST STRAP		£24.00	
UP0115 - RUGBY & BASKETBALL CHEST STRAP (54" X 5")		£30.00	
UP0116 - RUGBY & BASKETBALL CHEST STRAP (54" X 7")		£35.00	
UP0117 - RUGBY & BASKETBALL CHEST STRAP (66" X 5")		£32.50	
UP0110 - RUGBY & BASKETBALL CHEST STRAP (66" X 7")		£40.00	

INNER TUBES	PRICE	QTY
WH0061 - 24" Kenda tubes	£10.00	
WH0063 - 24" Schwalbe tube	£6.00	
WH0060 - 25" Kenda tube	£10.00	
WH0071 - 25" Schwalbe tube	£6.00	

SPECIAL REQUIREMENTS